



BG Series

CLOSE-COUPLED SELF-PRIMING
CENTRIFUGAL PUMPS

CONTENTS

BG Series

GENERAL INTRODUCTION	5
IDENTIFICATION CODE	6
LIST OF MODELS AND TABLE OF MATERIALS	7
MECHANICAL SEAL	8
MOTORS	9
OPERATING CHARACTERISTICS	10
DIMENSIONS AND WEIGHTS	11

Close-coupled self-priming centrifugal pumps with built-in ejector system

BG Series

MARKET SECTORS

CIVIL, AGRICULTURAL, INDUSTRIAL.

APPLICATIONS

- Water distribution.
- Pressure boosting.
- Irrigation.
- Washing.
- Rain water collection.
- Industrial washing machines and commercial dishwashers.
- Swimming pools.
- Fountains.



SPECIFICATIONS

PUMP

- **Delivery** up to 4,2 m³/h)
- **Head** up to 53 m
- Maximum working **pressure**: 8 bar (PN 8).
- **Maximum total lift**: 8 m.
- Temperature of **pumped liquid**: -10°C to +40°C.
- Maximum **ambient temperature**: +40°C.
- **Motor power**: from 0,37 kW to 1,1 kW.

MOTOR

- Asynchronous, squirrel cage rotor, enclosed construction in aluminium casing, external ventilation.
- **Protection**: IP55.
- Class 155 (F) **insulation**.
- Performances according to EN 60034-1.
- Maximum ambient **temperature**: 40°C.
- **Standard voltage**:
 - **Single-phase** version:
220-240 V 50 Hz, 2 poles with built-in automatic reset overload protection.
 - **Three-phase** version:
220-240/380-415 V 50 Hz;
overload protection to be provided by the user.

CONSTRUCTION

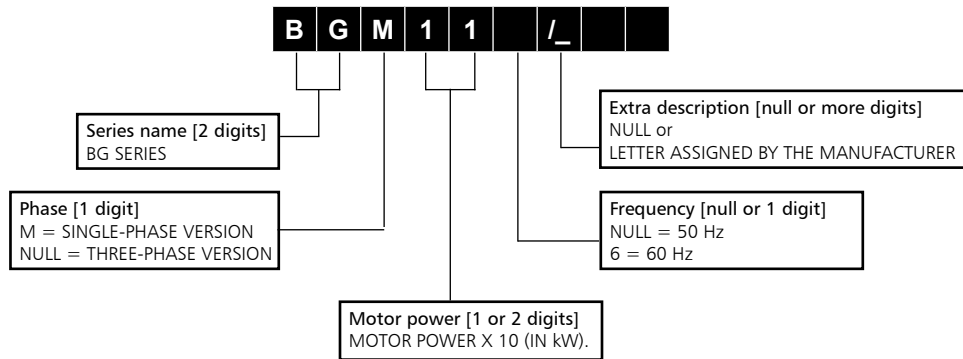
FEATURES

- Close-coupled self-priming centrifugal pumps with built-in ejector system, designed to remain primed even in the presence of water-dissolved gases.
- The extensive use of pressed stainless steel ensures a high-performance, durable and lightweight pump.

ADDITIONAL OFFERING

- "Garden" version with handle and terminal box with built in switch available.

BG SERIES IDENTIFICATION CODE

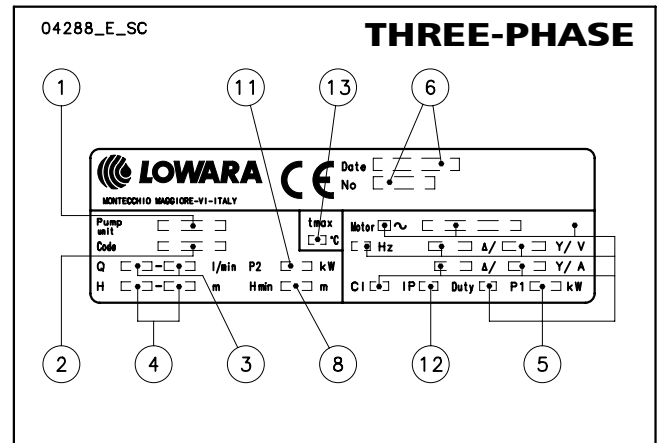
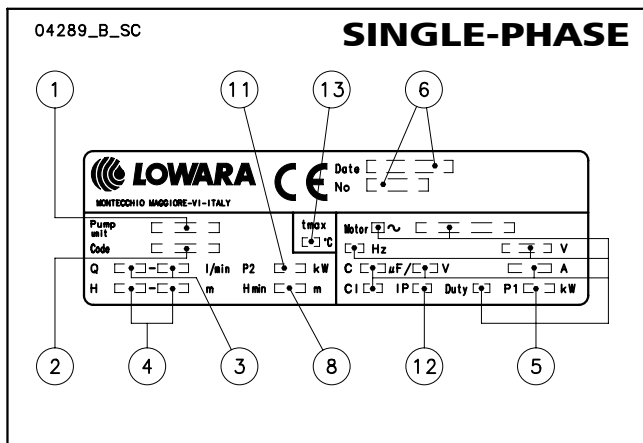


EXAMPLE :

BGM11/A

BG SERIES electric pump, single-phase, motor power 1,1 kW, 50 Hz

RATING PLATE



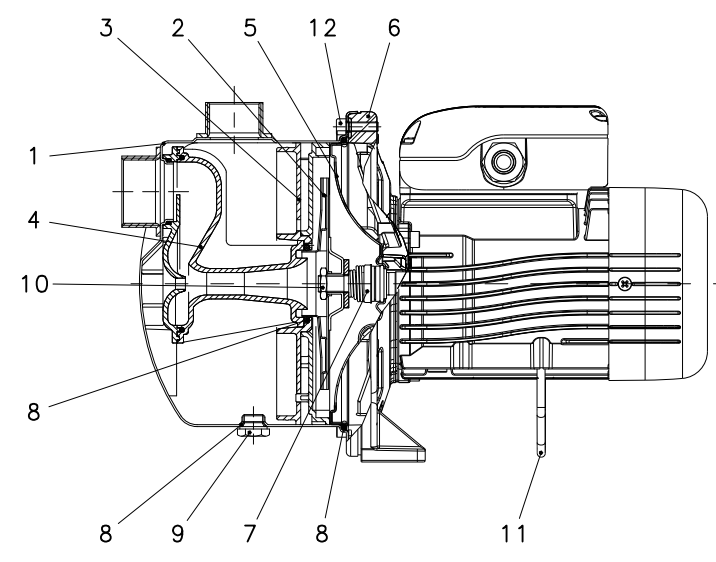
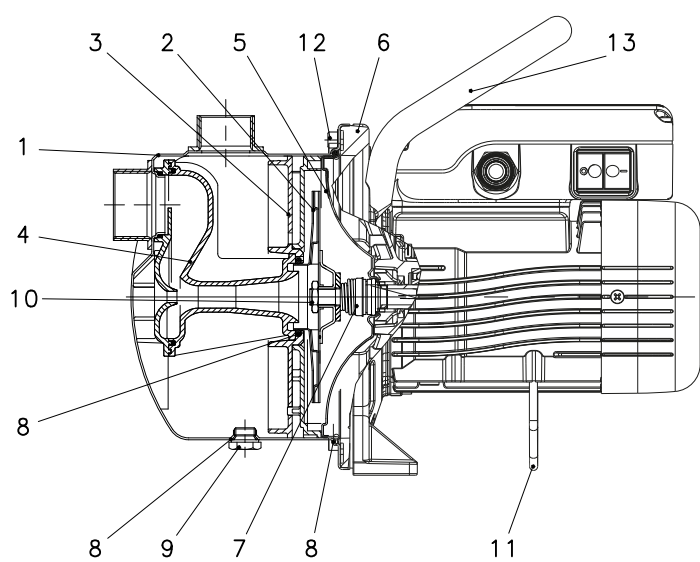
LEGEND

- 1 - Electric pump unit type
- 2 - Electric pump unit code
- 3 - Flow range
- 4 - Head range
- 5 - Electrical data

- 6 - Serial number (data + order number)
- 8 - Minimum head (EN 60335-2-41)
- 11 - Rated power
- 12 - Protection degree
- 13 - Maximum operating liquid temperature (uses as EN 60335-2-41)

BG SERIES

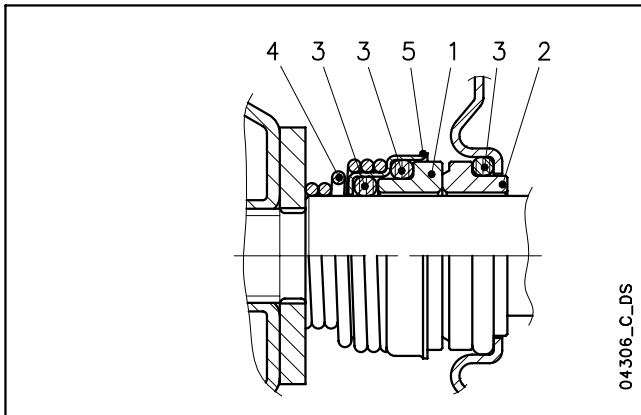
LIST OF MODELS AND TABLE OF MATERIALS

<p style="writing-mode: vertical-rl; transform: rotate(180deg);">01341_B_DS</p> 	<table border="1"> <thead> <tr> <th>VERSIONS</th> </tr> </thead> <tbody> <tr><td>BGM3/A</td></tr> <tr><td>BGM5/A</td></tr> <tr><td>BGM7/A</td></tr> <tr><td>BGM9/A</td></tr> <tr><td>BGM11/A</td></tr> <tr><td>BG3/A</td></tr> <tr><td>BG5/A</td></tr> <tr><td>BG7/A</td></tr> <tr><td>BG9/A</td></tr> <tr><td>BG11/A</td></tr> </tbody> </table> <p style="text-align: right;">bg-en_a_mo</p>	VERSIONS	BGM3/A	BGM5/A	BGM7/A	BGM9/A	BGM11/A	BG3/A	BG5/A	BG7/A	BG9/A	BG11/A
VERSIONS												
BGM3/A												
BGM5/A												
BGM7/A												
BGM9/A												
BGM11/A												
BG3/A												
BG5/A												
BG7/A												
BG9/A												
BG11/A												
	<table border="1"> <thead> <tr> <th>VERSIONS</th> </tr> </thead> <tbody> <tr><td>BGM3/A .. GARDEN</td></tr> <tr><td>BGM5/A .. GARDEN</td></tr> <tr><td>BGM7/A .. GARDEN</td></tr> <tr><td>BGM9/A .. GARDEN</td></tr> <tr><td>BGM11/A .. GARDEN</td></tr> </tbody> </table> <p style="text-align: right;">bgm-garden-en_a_mo</p>	VERSIONS	BGM3/A .. GARDEN	BGM5/A .. GARDEN	BGM7/A .. GARDEN	BGM9/A .. GARDEN	BGM11/A .. GARDEN					
VERSIONS												
BGM3/A .. GARDEN												
BGM5/A .. GARDEN												
BGM7/A .. GARDEN												
BGM9/A .. GARDEN												
BGM11/A .. GARDEN												

REF. N.	PART	MATERIAL	REFERENCE STANDARDS	
			EUROPE	USA
1	Pump body	Stainless steel	EN 10088-1-X5CrNi18-10 (1.4301)	AISI 304
2	Impeller	Stainless steel	EN 10088-1-X5CrNi18-10 (1.4301)	AISI 304
3	Diffuser	Technopolymer (PA66+GF30)		
4	Ejector	Technopolymer (PA66+GF30)		
5	Seal housing	Stainless steel	EN 10088-1-X5CrNi18-10 (1.4301)	AISI 304
6	Adapter	Aluminium	EN 1706-AC-AISI8Cu3 (Fe) (AC46200)	-
7	Mechanical seal	Ceramic / Carbon / EPDM (standard version)		
8	Elastomers	EPDM (standard version)		
9	Fill/drain plugs	Nickel-plated brass	EN 12164 CuZn39Pb3 (CW614N)	
10	Impeller lock nut	Stainless steel	EN 10088-1-X5CrNiMo17-12-2 (1.4401)	AISI 316
11	Support foot	Galvanized steel		
12	Pump body fastening nuts and bolts	Galvanized steel		
13	Handle for BGM garden model			

BG SERIES MECHANICAL SEAL

Tenuta meccanica con dimensioni di montaggio secondo EN12756 (ex DIN 24960) e ISO 3069.



LIST OF MATERIALS

POSITION 1 - 2	POSITION 3	POSITION 4 - 5
B ₃ : Carbon graphite	E ₂ : EPDM	G : AISI 316
V : Ceramica	V : FPM	

bg_ten-mec-en_b_tm

SEAL TYPES

TYPE	POSITION					TEMPERATURE (°C)
	1 ROTATING ASSEMBLY	2 FIXED ASSEMBLY	3 ELASTOMERS	4 SPRINGS	5 OTHER COMPONENTS	
STANDARD MECHANICAL SEAL						
VB ₃ E ₂ GG	V	B ₃	E ₂	G	G	-10 +110
OTHER TYPES OF MECHANICAL SEAL						
VB ₃ VGG	V	B ₃	V	G	G	-10 +110 *

* for hot water: max 80°C

bg_tipi-ten-mec-en_b_tc

BG SERIES MOTORS

- **Standard supplied IE3 three-phase surface motors $\geq 0,75$ kW are compliant with Regulation (EC) no. 640/2009 and IEC 60034-30.**
- Electrical performances according to EN 60034-1.
- Insulation class 155 (F).
- IP55 protection.
- Condensate drain plugs on standard version.
- Cooling by fan according to EN 60034-6.
- Cable gland metric size according to EN 50262.
- Standard voltage:
 - **Single-phase** version: 220-240 V 50 Hz (incorporated automatic-reset overload protection).
 - **Three-phase** version: 220-240/380-415 V 50 Hz (overload protection to be provided by the user).

SINGLE-PHASE MOTORS AT 50 Hz, 2 POLES

P _N kW	MOTOR TYPE	IEC SIZE	Construction Design	INPUT CURRENT I _n (A) 220-240 V	CAPACITOR		DATA FOR 230 V 50 Hz VOLTAGE						
					μF	V	min ⁻¹	I _s / I _n	η %	cosφ	T _n Nm	T _s /T _n	T _m /T _n
0,4	SM63BG/1045	63	SPECIAL	2,79-2,85	14	450	2745	2,64	65,1	0,96	1,39	0,68	1,63
0,55	SM71BG/1055	71		3,76-3,99	16	450	2820	3,72	68,9	0,91	1,86	0,61	2,00
0,75	SM71BG/1075	71		4,90-4,85	20	450	2765	3,42	70,1	0,96	2,59	0,58	1,75
0,95	SM71BG/1095	71		6,25-5,89	25	450	2740	3,39	71,1	0,98	3,31	0,58	1,66
1,1	SM80BG/1115	80		6,88-6,65	30	450	2800	3,89	74,7	0,96	3,75	0,46	1,72

bg-motm-2p50-en_a_te

THREE-PHASE MOTORS AT 50 Hz, 2 POLES

P _N kW	Efficiency η _N %																		IE	Year of manufacture		
	Δ 220 V Y 380 V			Δ 230 V Y 400 V			Δ 240 V Y 415 V			Δ 380 V Y 660 V			Δ 400 V Y 690 V			Δ 415 V						
	4/4	3/4	2/4	4/4	3/4	2/4	4/4	3/4	2/4	4/4	3/4	2/4	4/4	3/4	2/4	4/4	3/4	2/4				
0,4	-	-	-	-	-	-	-	-	-	-	-	-	-	-	-	-	-	-	-	-	-	-
0,55	-	-	-	-	-	-	-	-	-	-	-	-	-	-	-	-	-	-	-	-	-	-
0,75	82,5	83,1	81,3	82,8	82,7	80,1	82,6	82,0	78,9	82,5	82,0	78,9	82,5	82,0	78,9	82,5	82,0	78,9	82,5	82,0	78,9	-
1,1	84	84,7	83,4	84,4	84,5	82,5	84,3	84	81,4	84	84	81,4	84	84	81,4	84	84	81,4	84	84	81,4	-
1,5	85,6	86,5	85,8	85,9	86,4	84,9	86	86,0	84,0	85,6	86,0	84,0	85,6	86,0	84,0	85,6	86,0	84,0	85,6	86,0	84,0	3
2,2	86,5	87,4	86,8	86,4	86,9	85,7	86,6	86,7	85	86,4	86,7	85	86,4	86,7	85	86,4	86,7	85	86,4	86,7	85	-
3	87,2	88,5	88,3	87,5	88,2	87,5	87,5	87,8	86,4	87,2	87,8	86,4	87,2	87,8	86,4	87,2	87,8	86,4	87,2	87,8	86,4	from 11/2014

P _N kW	Manufacturer		IEC SIZE	Construction Design	N. of Poles	f _N Hz	Data for 400 V / 50 Hz Voltage				
	Xylem Service Italia Srl Reg. No. 07520560967 Montecchio Maggiore Vicenza - Italia						cosφ	I _s / I _N	T _N Nm	T _s /T _N	T _m /T _N
	Model										
0,4	SM63BG/304		63	SPECIAL	2	50	0,66	4,32	1,38	4,14	3,13
0,55	SM71BG/305		71				0,74	5,97	1,85	3,74	3,56
0,75	SM80BG/307 PE		80				0,78	7,38	2,48	3,57	3,75
1,1	SM80BG/311 PE		80				0,79	8,31	3,63	3,95	3,95
1,5	SM80BG/315 PE		80				0,80	8,80	4,96	4,31	4,10
2,2	PLM90BG/322 E3		90				0,80	8,77	7,28	3,72	3,70
3	PLM90BG/330 E3		90				0,79	7,81	9,93	4,26	3,94

P _N kW	Voltage U _N V											n _N min ⁻¹	Operating conditions **			
	Δ			Y			Δ			Y			See note.	Altitude Above Sea Level (m)	T. amb min/max °C	ATEX
	220 V	230 V	240 V	380 V	400 V	415 V	380 V	400 V	415 V	660 V	690 V					
0,4	2,20	2,34	2,51	1,27	1,35	1,45	-	-	-	-	-	2740 ÷ 2790	See note.	≤ 1000	-15 / 40	No
0,55	2,56	2,56	2,62	1,48	1,48	1,51	-	-	-	-	-	2825 ÷ 2850				
0,75	2,96	2,94	2,96	1,71	1,70	1,71	1,70	1,69	1,70	0,98	0,98	2875 ÷ 2895				
1,1	4,19	4,14	4,16	2,42	2,39	2,40	2,41	2,38	2,38	1,39	1,37	2870 ÷ 2900				
1,5	5,56	5,49	5,51	3,21	3,17	3,18	3,21	3,18	3,19	1,85	1,84	2870 ÷ 2895				
2,2	7,97	7,90	7,98	4,6	4,56	4,61	4,57	4,54	4,57	2,64	2,62	2880 ÷ 2900				
3	11,0	11,0	11,2	6,35	6,33	6,44	6,29	6,27	6,34	3,63	3,62	2865 ÷ 2895				

Note: Observe the regulations and codes locally in force regarding sorted waste disposal.

bg-IE3-mott-2p50-en_a_te

** Operating conditions to be referred to motor only. About electric pump, refer to limits in user's manual.

BG SERIES OPERATING CHARACTERISTICS AT 50 Hz, 2 POLES

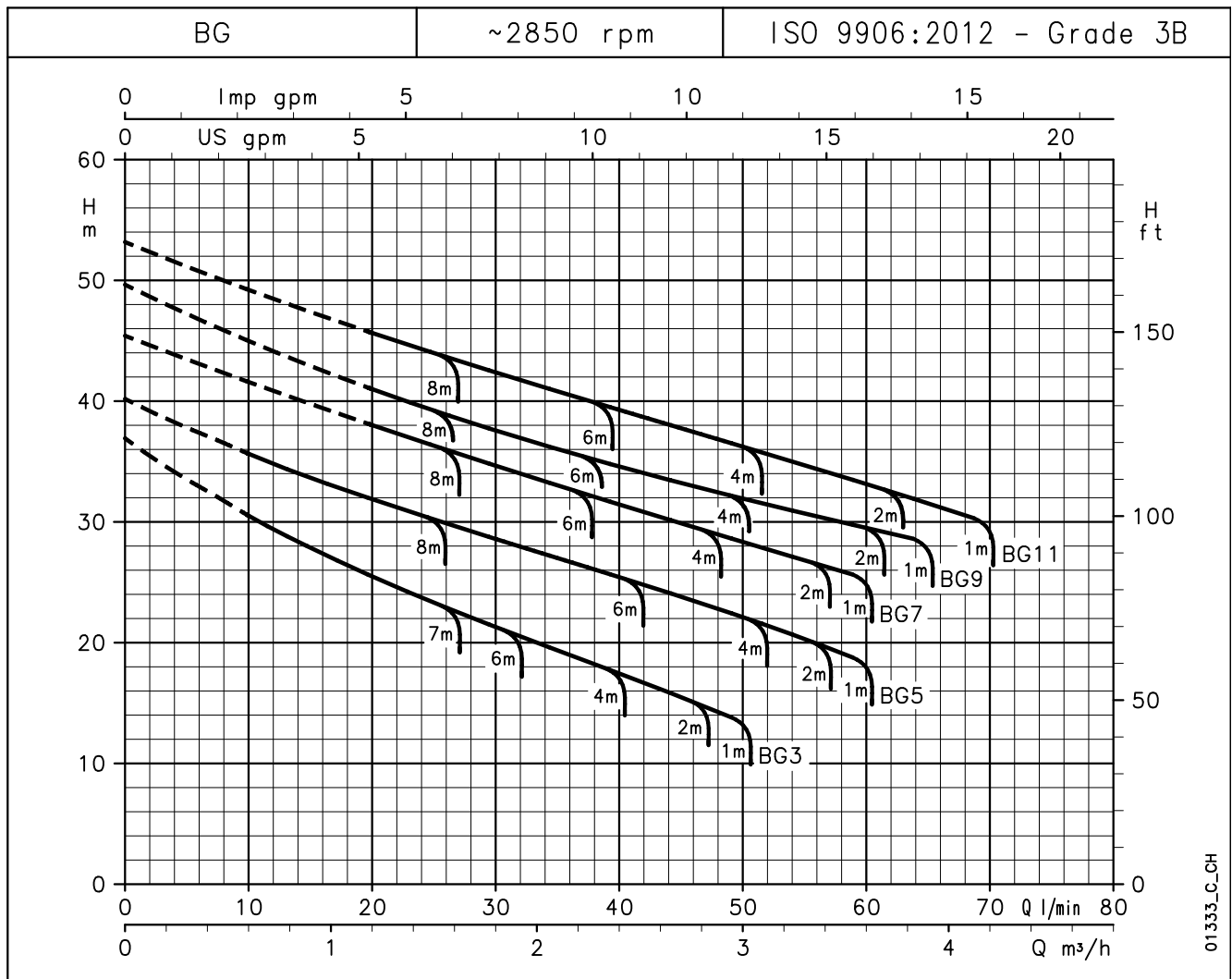


TABLE OF HYDRAULIC PERFORMANCES AT 50 Hz, 2 POLES

PUMP TYPE	RATED POWER		Q = DELIVERY										
			l/min	0	10	20	30	40	50	60	65	70	
			m ³ /h	0	0,6	1,2	1,8	2,4	3	3,6	3,9	4,2	
	kW	HP	H = TOTAL HEAD METRES COLUMN OF WATER										
BG(M)3	0,37	0,5	36,9	30,6	25,6	21,5	17,7	13,8					
BG(M)5	0,55	0,75	40,2	35,7	32,0	28,8	25,7	22,4	18,8				
BG(M)7	0,75	1	45,4		38,1	34,8	31,7	28,6	25,6				
BG(M)9	0,9	1,2	49,6		41,1	37,7	34,8	32,2	29,8	28,6			
BG(M)11	1,1	1,5	53,2		45,8	42,5	39,5	36,5	33,5	31,9	30,3		

Maximum delivery depends on geodetic suction lift with clean 8 m pipe and 1¼" foot valve.

bg-2p50-en_a_th

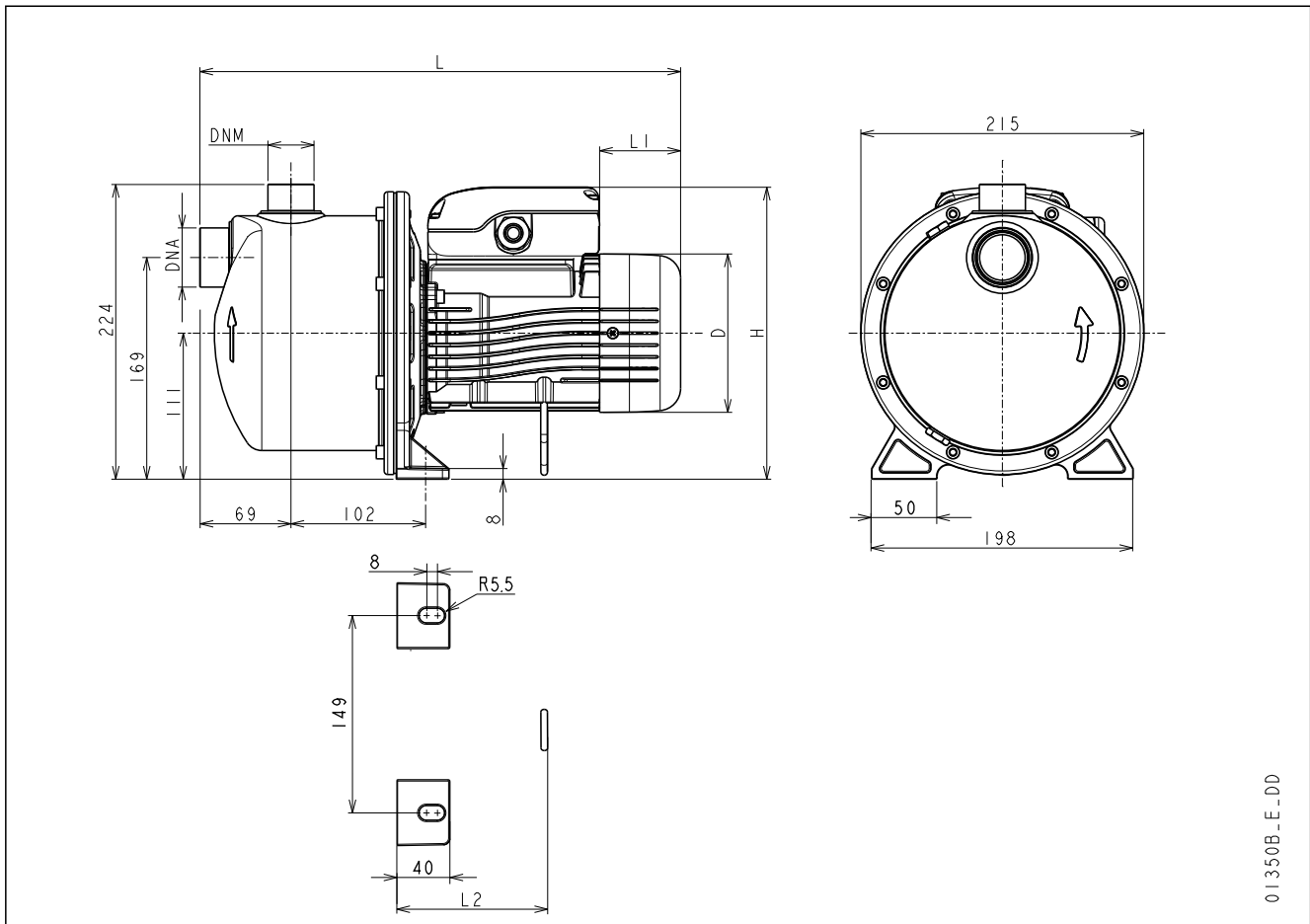
These performances are valid for liquids with density $\rho = 1,0 \text{ kg/dm}^3$ and kinematic viscosity $\nu = 1 \text{ mm}^2/\text{s}$.

PUMP TYPE	MOTOR TYPE	INPUT		CAPACITOR	PUMP TYPE	MOTOR TYPE	INPUT		INPUT
		POWER*	CURRENT*				POWER*	CURRENT*	
1 ~		kW	A	$\mu\text{F} / 450 \text{ V}$	3 ~		kW	A	A
BGM3	SM63BG/1045	0,67	2,96	14	BG3	SM63BG/304	0,68	2,56	1,48
BGM5	SM71BG/1055	0,91	4,33	16	BG5	SM71BG/305	0,81	2,74	1,58
BGM7	SM71BG/1075	1,11	5,00	20	BG7	SM80BG/307PE	1,02	3,17	1,83
BGM9	SM71BG/1095	1,24	5,54	25	BG9	SM80BG/311PE	1,11	3,78	2,18
BGM11	SM80BG/1115	1,43	6,47	30	BG11	SM80BG/311PE	1,30	4,16	2,40

*Maximum value in specified range.

bg-2p50-en_c_th

BG SERIES DIMENSIONS AND WEIGHTS AT 50 Hz, 2 POLES

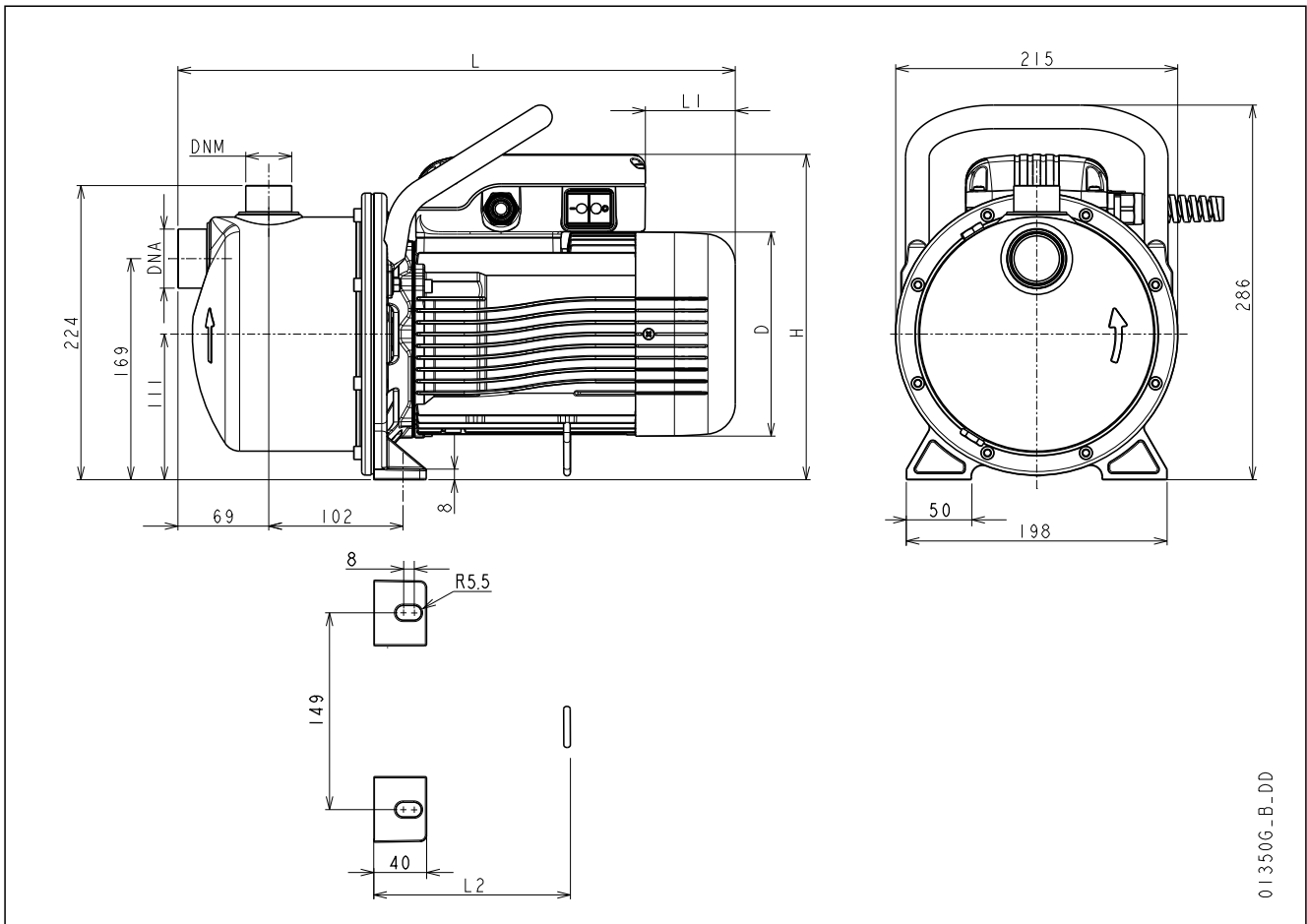


01350B_E_DD

POMP TYPE	DIMENSIONS (mm)					DNA	DNM	WEIGHT
	D	L	L1	L2	H			
BGM3/A	120	366	62	115	222	Rp 1/4	Rp 1	9
BGM5/A	140	380	76	117	232	Rp 1/4	Rp 1	11
BGM7/A	140	380	76	150	232	Rp 1/4	Rp 1	12
BGM9/A	140	380	31	150	241	Rp 1/4	Rp 1	12
BGM11/A	156	425	69	150	248	Rp 1/4	Rp 1	15
BG3/A	120	366	62	115	222	Rp 1/4	Rp 1	9
BG5/A	140	380	76	117	232	Rp 1/4	Rp 1	11
BG7/D	155	425	114	150	240	Rp 1/4	Rp 1	15
BG9/D	155	425	114	150	240	Rp 1/4	Rp 1	17
BG11/D	155	425	114	150	240	Rp 1/4	Rp 1	17

bg-2p50-en_e_td

BG SERIES DIMENSIONS AND WEIGHTS AT 50 Hz, 2 POLES

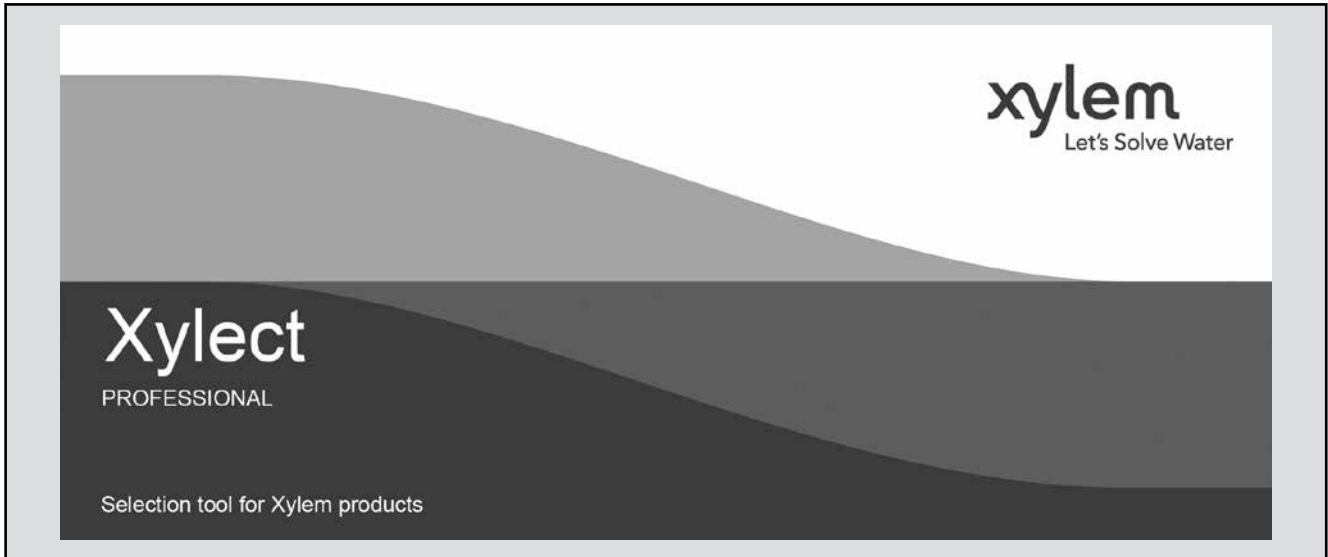


013506_B_DD

PUMP TYPE	DIMENSIONS (mm)					DNA	DNM	WEIGHT kg
	D	L	L1	L2	H			
BGM3/A .. GARDEN	120	366	17	115	231	Rp 1¼	Rp 1	10,5
BGM5/A .. GARDEN	140	380	31	117	241	Rp 1¼	Rp 1	11,5
BGM7/A .. GARDEN	140	380	31	117	241	Rp 1¼	Rp 1	13,5
BGM9/A .. GARDEN	140	380	31	117	241	Rp 1¼	Rp 1	15,5
BGM11/A .. GARDEN	156	425	69	150	248	Rp 1¼	Rp 1	20,0

bg-gard-2p50-en_b_td

**FURTHER PRODUCT SELECTION
AND DOCUMENTATION**
Xylect



Xylect is pump solution selection software with an extensive online database of product information across the entire Lowara range of pumps and related products, with multiple search options and helpful project management facilities. The system holds up-to-date product information on thousands of products and accessories.

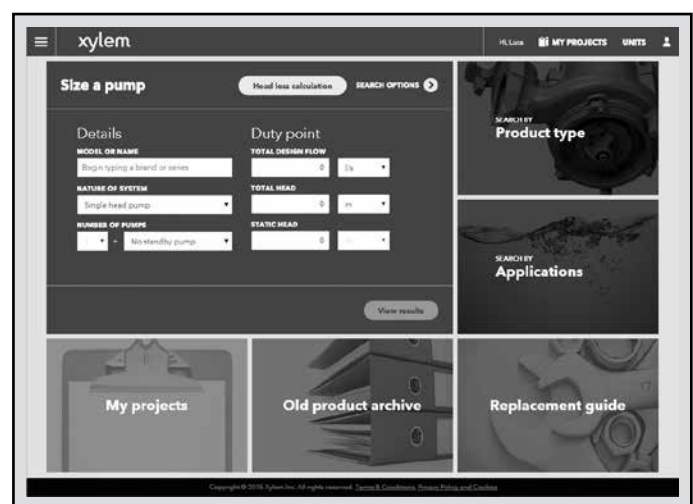
The possibility to search by applications and the detailed information output given makes it easy to make the optimal selection without having detailed knowledge about the Lowara products.

The search can be made by:

- Application
- Product type
- Duty point

Xylect gives a detailed output:

- List with search results
- Performance curves (flow, head, power, efficiency, NPSH)
- Motor data
- Dimensional drawings
- Options
- Data sheet printouts
- Document downloads incl dxf files



The search by application guides users not familiar with the product range to the right choice.

FURTHER PRODUCT SELECTION AND DOCUMENTATION

Xylect



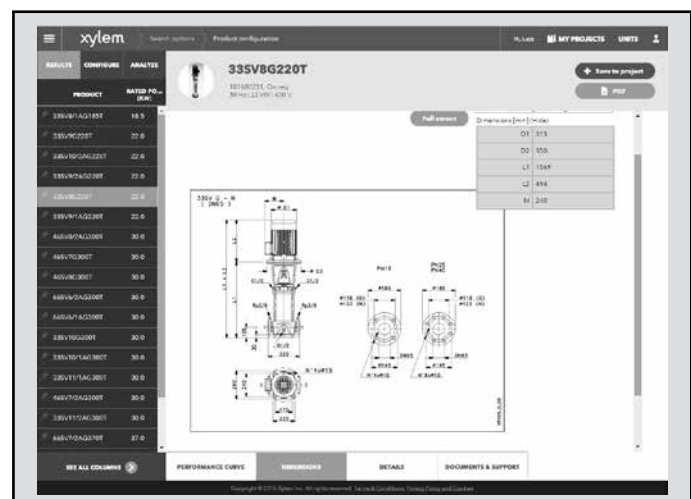
The detailed output makes it easy to select the optimal pump from the given alternatives.

The best way to work with Xylect is to create a personal account. This makes it possible to:

- Set own standard units
- Create and save projects
- Share projects with other Xylect users

Every registered user has a proper space, where all projects are saved.

For more information about Xylect please contact our sales network or visit www.xylect.com.



Dimensional drawings appear on the screen and can be downloaded in dxf format.

Xylem |'zīləm|

- 1) The tissue in plants that brings water upward from the roots;
- 2) a leading global water technology company.

We're a global team unified in a common purpose: creating advanced technology solutions to the world's water challenges. Developing new technologies that will improve the way water is used, conserved, and re-used in the future is central to our work. Our products and services move, treat, analyze, monitor and return water to the environment, in public utility, industrial, residential and commercial building services settings. Xylem also provides a leading portfolio of smart metering, network technologies and advanced analytics solutions for water, electric and gas utilities. In more than 150 countries, we have strong, long-standing relationships with customers who know us for our powerful combination of leading product brands and applications expertise with a strong focus on developing comprehensive, sustainable solutions.

For more information on how Xylem can help you, go to www.xylem.com.



For information and technical support
Xylem Service Italia Srl

Via Dottor Vittorio Lombardi 14
36075 - Montecchio Maggiore (VI) - Italy
Tel. (+39) 0444 707111
Fax (+39) 0444 491043
www.lowara.com

Xylem Service Italia Srl reserves the right to make modification without prior notice.
Lowara, Xylem are trademarks of Xylem Inc. or one of its subsidiaries
© 2020 Xylem, Inc.